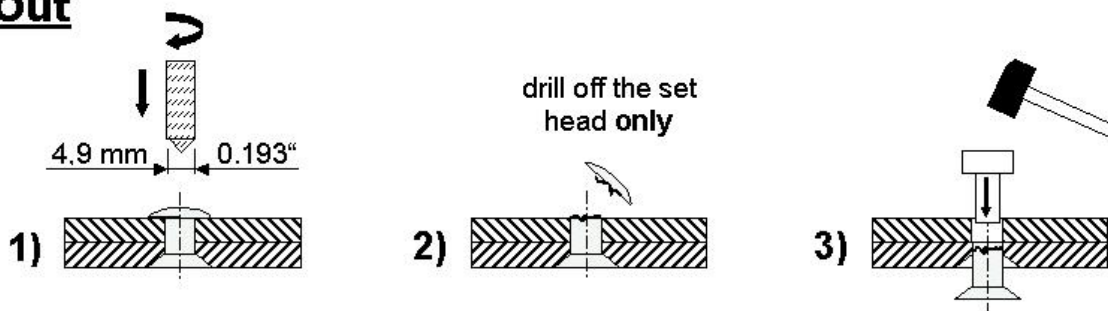


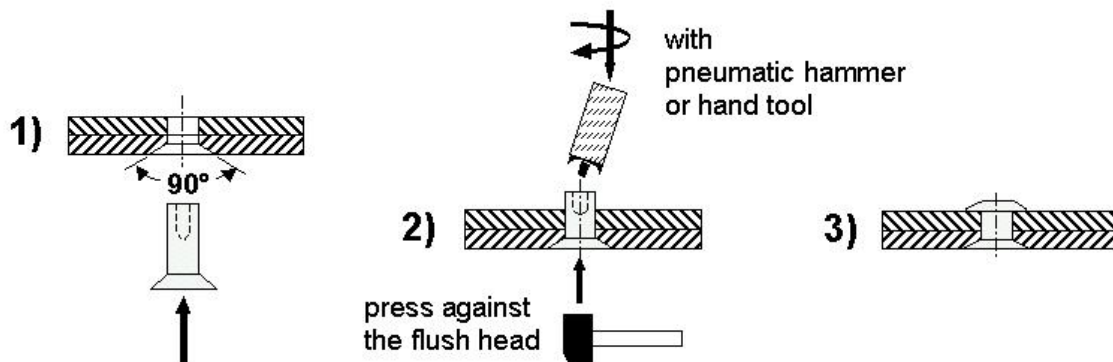
## Drill-Out



## Replacement

I.

with semi-tubular rivet



II.

with blind rivet

