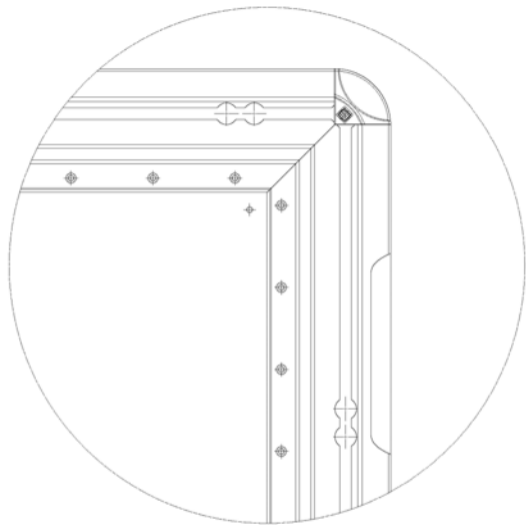


Continuous seat track



Non-continuous seat track